

Velocifero

MINIMAD+ MANUAL



www.velocifero.eu

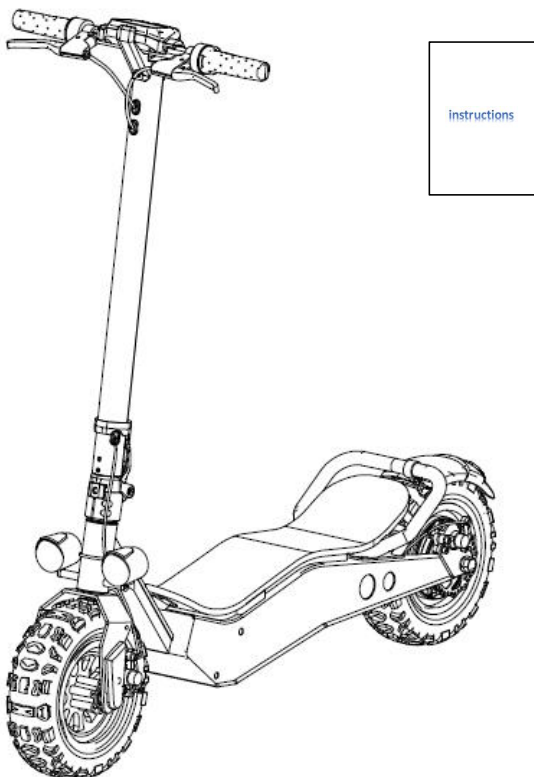
Welcome to use

Thank you for choosing MINI MAD Plus electric scooter (hereinafter referred to as electric scooter).Electric scooter is a fashionable sports and entertainment equipment.

Contents

1. Products and accessories.....	02
2. Function sketch maps.....	03
3. Scooter body assembly.....	07
4. Connection of charger.....	11
5. Learn to drive.....	13
6. Safety instruction.....	15
7. Fold	24
8. Daily maintenance.....	25
9. Type and parameters.....	29
10. Content and name of harmful substances.....	29
11. Fault code.....	30
12. Trade marks and legal notices.....	31
13. Warranty Policy.....	32

1. Products and accessories



Accessories

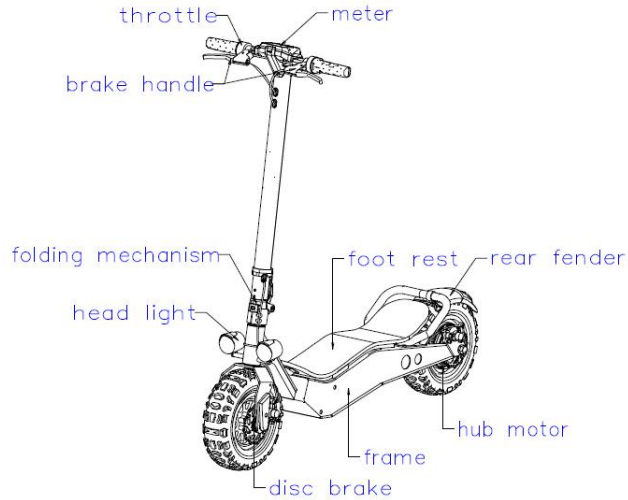
1.tools

2.charger

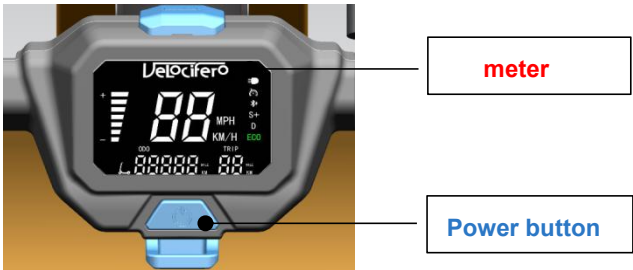


Tools Contains 5#, 4# inner hexagon wrench.

2. Functions and schematics

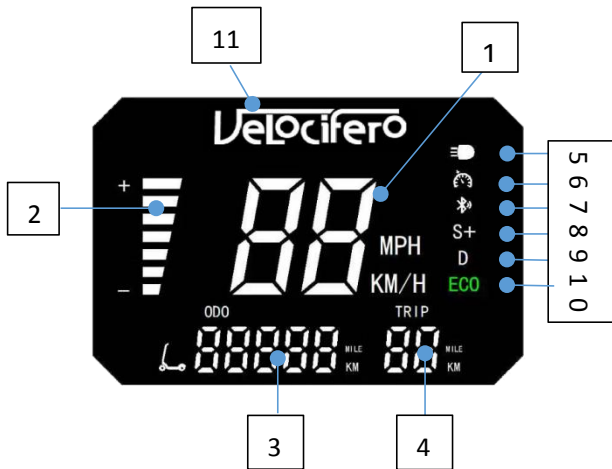


Meter and control panel



Buzzer cue	1. Boot-up Tip: In shutdown state, press the power button for a second and buzzer sounds at the same time.
	2. Turn-off Tip: When on, press the power button for two seconds, and buzzer sounds at the same time.
	3. Turn on the headlight prompt: in the boot state, click the power button and buzzer sounds at the same time
	4. Mode switch prompt: In boot state, double-click the power button and buzzer sounds to indicate the mode switch is successful.
Mode switching	Mode switching: boot state, double-click power button mode switching: white light motion mode
Automatic shutdown	3 minutes without operation buzzer rings 2 seconds in advance, 2 seconds later, automatic shutdown.
Rotary blocking protection	After blocking the motor for 2 seconds, the controller protects no output, and the controller can output normally only after reregulating the speed.

Operational instructions



Meter

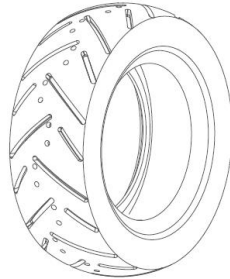
- ① Speed / Fault code
- ② Electricity meter
- ③ Odometer
- ④ Trip meter
- ⑤ Light indication
- ⑥ Auto Cruise Control
- ⑦ Bluetooth(reserved)
- ⑧ Sport mode
- ⑨ Normal mode
- ⑩ ECO mode
- ⑪ Logo

notice:

Electricity meter is divided into seven-grid display, Electricity decreases from top to bottom in turn. When the indicator light is only 2 grid, it is better to be ready to charge.



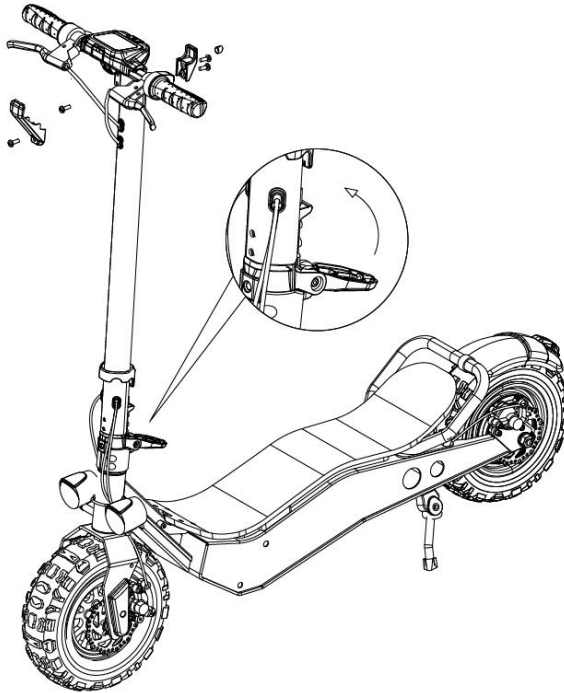
Off-road tire



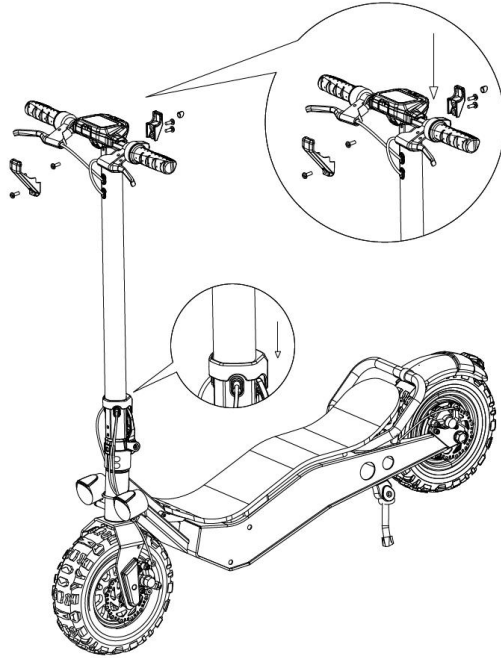
Road tire

Tyres: There are two options for tyres. One is off-road tire and the other is road tire.

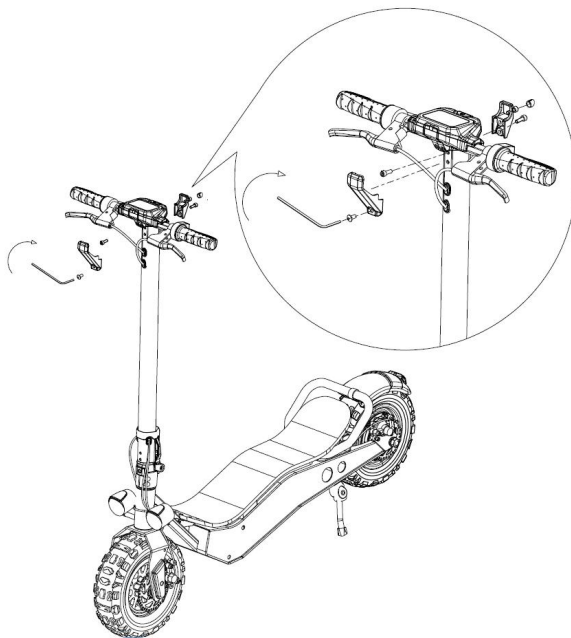
3. Scooter body assembly



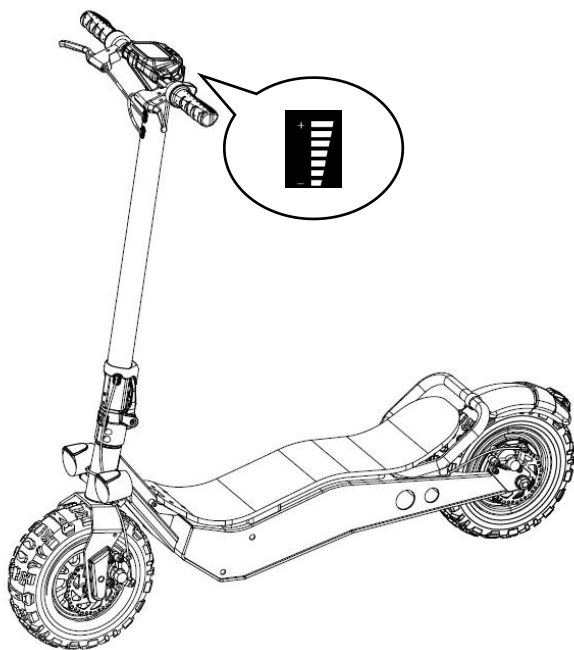
1. Open the side bracket and fix the electric scooter standpipe.



2. Install the handlebar on the standpipe; Lower folding mechanism wrench limiter.

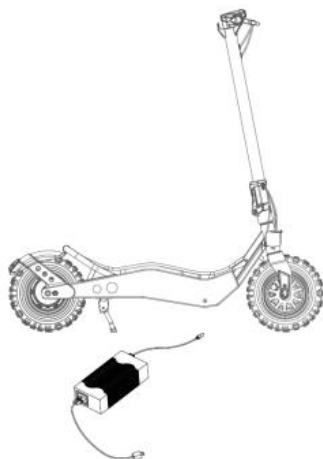


3. Use the hexagon wrench in the tool kit to tighten 4 bolts.

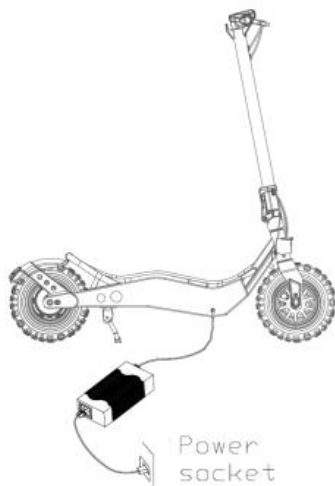


4.Power on and test,Turn on the switch on the battery before use.

4. Connection of charger



1. Open side stand, Open the waterproof plug of the charging port.

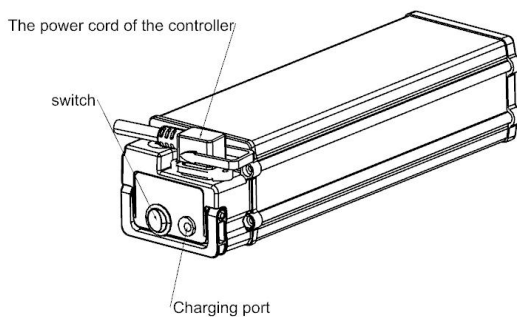


2. Connect charger with charging port



3. After charging, Cover the waterproof plug .

If you want to take the battery home to recharge it, We can open the footrest and take the battery out. Then, We connect the charger to the charging port of the battery.



Step1: Remove the controller power cord from the

battery.

Step2:Use the key to remove the battery from the scooter.

Step3:Turn the switch on before charging.

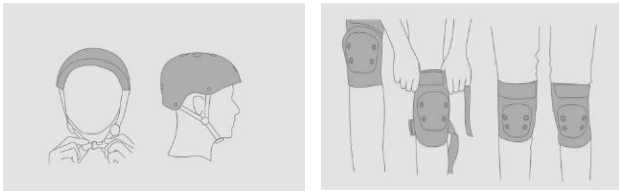
Step4:Connect the charger to the charging port on the battery and start charging.

Step5:Unplug the charger after charging.

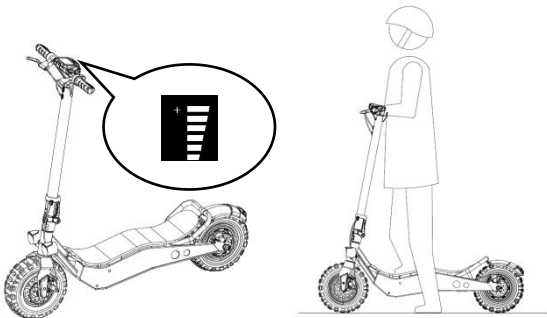
Step6:Before reinstalling the battery to the scooter and connecting the controller, turn off the switch on the battery, connect the power cord of the controller and then turn on the switch, so as to avoid sparking when connecting.

Step7:Turn on and observe meter whether the battery is full of power.

5. Learn to drive

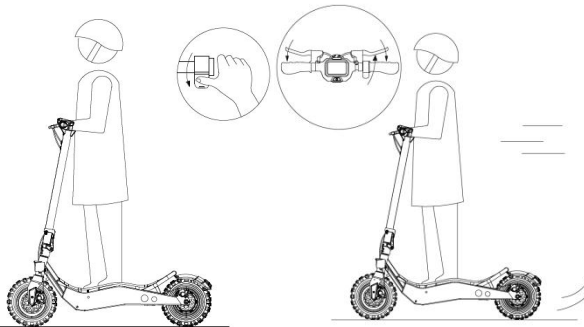


As shown in the figure: Please wear protective gear to drive during study, as well as shoes.



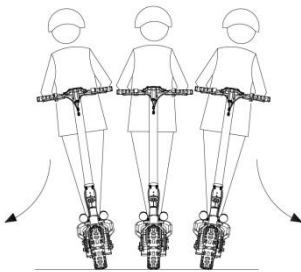
1. Start-up; check battery Capacity.

2. Stand on the pedal with the one foot and push back with the other.



3. Place one foot on the ground and press the accelerator gently. When the scooter moves, place the other foot on the pedal and keep balance.


4. Release the throttle to slow down slowly, and hold the brake handle for emergency braking.

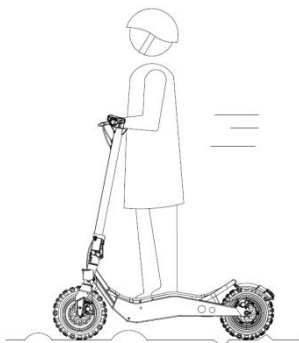



5. As you turn, tilt your weight slightly in the direction you want to turn it, and slowly turn the handle.

6. Safety instruction

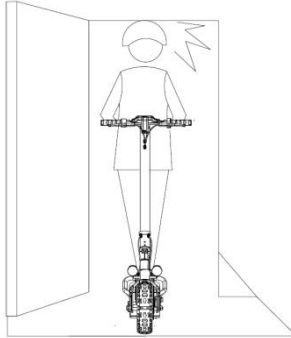



 Don't ride in the rain.




 Don't pass quickly. When encountering

unconventional pavement such as deceleration belt, threshold, pitted pavement, etc.




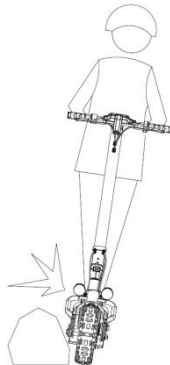
 Beware of high obstacles, Such as door frames.




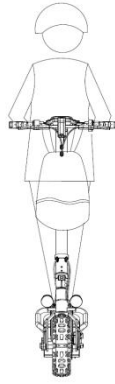
 Don't accelerate downhill.




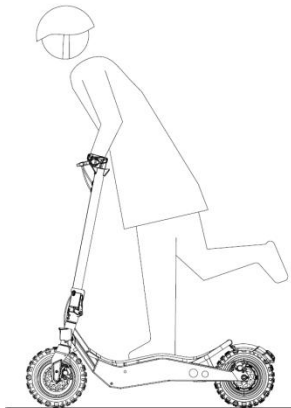
 Don't press the throttle when implementing electric scooter.




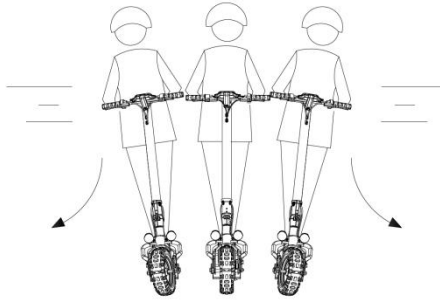
 Please ride away from obstacles.



 Please don't hang heavy objects on the handle.



 Don't put one foot on the pedal when riding.



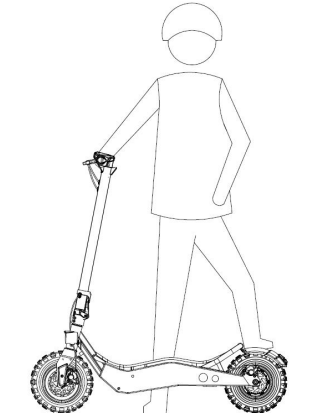
⊗ It is forbidden to rotate handlebars greatly when driving at high speed.



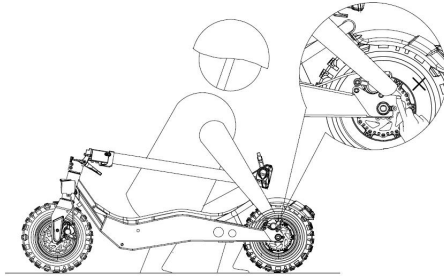
⊗ Don't drive in over 2CM deep water



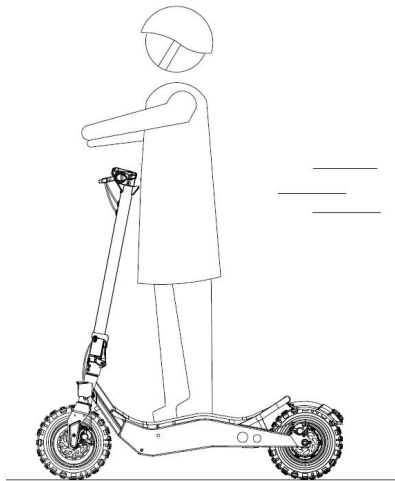
⊗ Manned persons are prohibited.



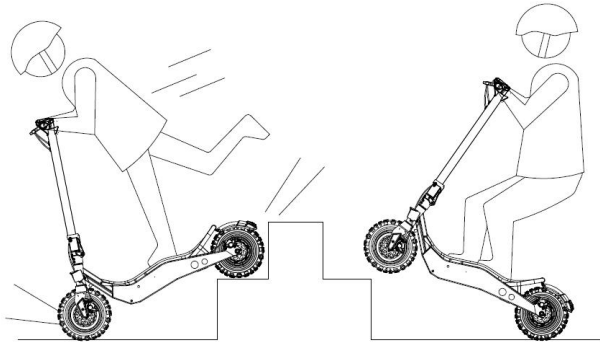
⊗ No treading on fenders.




⊗ Don't touch disc brake.



⊗ Don't leave your hands when riding.

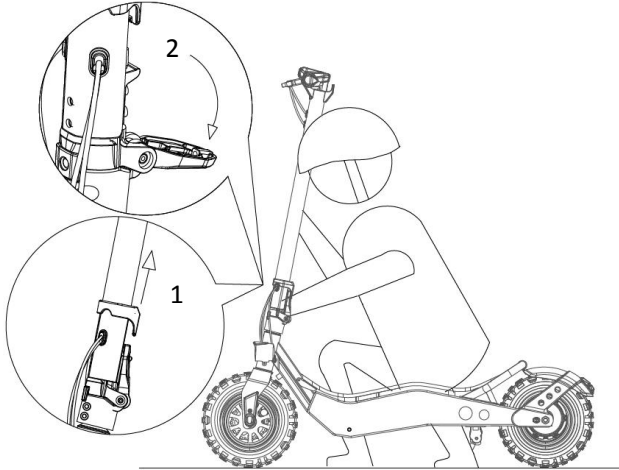


 Do not climb stairs or jump over obstacles while riding.

Attention:

- You should obey the national and local traffic rules. Strictly follow this manual to perfect you and others as much as possible.
- You need to understand: Once the electric scooter is in a public place or on the road, Even if you follow this manual completely, you may be injured due to violations or improper operations by other vehicles or personnel.
- Electric scooters are like cars, faster you drive, the farther you brake. Emergency braking on slippery roads can cause the wheels to slip and lose balance. you need to maintain proper speed and distance from other vehicles or pedestrians. You need to be on your guard when you're driving on unfamiliar roads.
- When you drive the electric scooter, please pay attention to children and pedestrians to avoid frightening others. When passing behind them, warn them and slow down.
- The company will not bear any direct or indirect liability for all losses, accidents and legal disputes caused by non-compliance with regulations and illegal operations.
- Don't lend electric scooter to others who can't operate them to prevent injury
- When you give your electric scooter to them, let them wear safety gear and teach how to operation.
- Please make a basic check on the electric scooter before each driving. If it is found that obvious parts are loose, battery level is significantly reduced, tires are slowly leaking or excessively worn, steering noise or failure, please stop using immediately and do not drive forcibly.

7. Fold



Make sure the electric scooter is turned off. After holding the riser, First, move the wrench limiter of the folding mechanism upward, then turn the folding wrench downward.

8. Daily maintenance

Cleaning and Storage of Electric Scooter

If there is any stain on the surface of the scooter, please dip it in soft cloth and wipe it with a little water. If dirty stains are hard to clean, toothpaste can be used for scrubbing and then wet cloth cleaning.

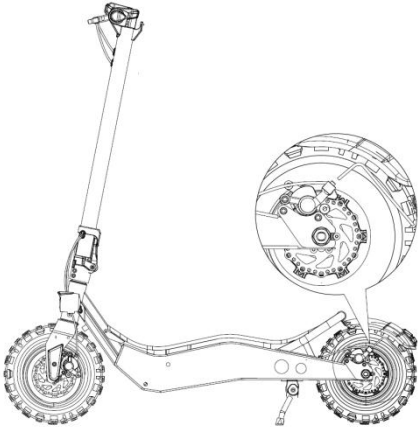
Tips: Alcohol, gasoline, kerosene or other corrosive or volatile chemical solvents should not be used for cleaning. It is forbidden to use high-pressure water gun to clean and make sure the electric scooter is turned off. In addition, the charging cable has been pulled out and the rubber cover of the charging port is tightly fastened, otherwise electric shock or serious failure may occur due to internal water inflow.

When not in use, try to store electric scooters indoors in dry and shady places, and try to avoid long-term outdoor storage. Sunshine exposure, overheating and overcooling will accelerate the appearance of electric scooters and tires aging and reduce the service life of electric scooter batteries.

Maintenance of Battery for Electric Scooter

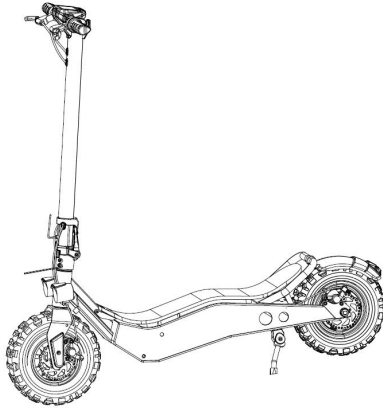
1. Do not use battery packs of other models or brands, otherwise there may be safety risks.
2. It is forbidden to touch the battery contacts and to dismantle or puncture the shell. Avoid short circuit caused by metal contact with battery contacts. Otherwise, it may cause battery damage or casualties.
3. Only the original charger can be used for charging, otherwise there is danger of damage or fire.
4. Improper disposal of waste batteries can seriously pollute the environment. When discarding this battery pack, please abide by local regulations. Do not discard the battery pack at will to protect the natural environment.
5. After each use, please charge the battery before storing the electric vehicle, which is conducive to prolonging the battery life.
6. Do not place the battery at temperatures above 50 degrees Celsius or below minus 20 degrees Celsius.

Modulates the brake



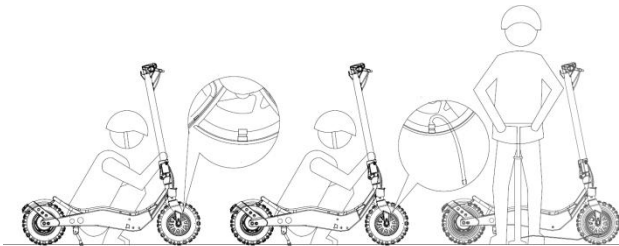
If you feel that the brake is too tight or too loose, first use M4 inner hexagonal wrench to loosen the nut, then adjust the brake line, (Shorten the brake line upward if it is too tight, If it's too loose, pull the brake cord down)and then tighten the nut.(The front brake adjusting method is the same as the rear brake adjusting method).

Adjust the handlebar



As shown in the figure, if the standpipe is shaking during the ride, tighten the bolt with the inner hexagonal wrench.

How to inflate a tire



If a tire is found to be short of air, use an Pneumatic tools to inflate the tire. Unscrew the cap of the inflatable nozzle, then connect the inflatable nozzle and inflate it.

9. Type and parameters

Performance index	Item	Specifications
Dimensions	L*W*H(mm)	1180*473*1212(mm)
	Fold size(mm)	1180*473*510(mm)
Product weight	Vehicle weight in running order(with battery)	28kg
Cycling Requirements	Maximum load	100kg
	Applicable age	16-50
	Suitable height	130-200cm
Vehicle Parameters	Full speed	25km/h
	Max distance with one charge	30-41km
	Max climbing angle	about 15%
	Applicable terrain	Cement and asphalt pavement,flat clay pavement,no more than 1 cm steps,no more than 5 cm wide channel
	Working temperature	0-45℃
	Storage temperature	0-45℃
Battery	IP	IPX4
	Rated Volt	48V
	Battery capacity	10Ah
Motor	Charging voltage	54.6V
	Rated power	500W brushless
Charger	Input voltage	100-240V
	Rated output voltage	54.6V
	Rated current	2A
	Charging time	about 5-6H

10. Content and name of harmful substances

Component Name	Harmful substances					
	Pb	Hg	Cd	Cr (VI)	PBB	PBDE
Charger	×	○	○	○	○	○
Battery	×	○	○	○	○	○
Gas nozzle	×	○	○	○	○	○
Charging port	×	○	○	○	○	○
Controller circuit board	×	○	○	○	○	○
Instrument Circuit Board	×	○	○	○	○	○
Hub motor	×	○	○	○	○	○
Frame	○	○	○	○	○	○
Tire	○	○	○	○	○	○

11. Fault code

When the fault occurs, besides the fault light, the speedometer will also display the fault code.

The explanation is as follows:

E1: Hall fault of motor

E2: Controller Signal Fault

E3: Fault of Speed Control Rotary Handle

E4: Controller MOS Fault

E5: Phase Current Fault

E6: Average Current Fault

E7: Battery Voltage Fault

E8: Brake handle malfunction



Due to the product update and upgrade, the specific operation in kind prevail.

12. Trade marks and legal notices

Velocifero is a registered trademark of Velocifero Co., Ltd. Velocifero Company reserves all rights to trademarks.

This manual is produced and copyrighted by Velocifero Co., Ltd. Without the permission of the Company, no other company or individual may modify, copy, disseminate or bundle with its products for use or sale.

Due to the continuous improvement of product functions and design changes, there may still be inconsistencies with the products you buy. Due to product updates, there are differences in color, appearance and function between this manual and the actual product. Please refer to the actual product.

TAIZHOU SIWEILUO VEHICLE CO.LTD
No.509, Tengyun Road, Jiaojiang District, Taizhou
City, Zhejiang Province.

13. Warranty Policy

The content of the warranty	Guarantee time
Frame	1 year
Battery	1 year
Controller	1 year
Motor	1 year

Note: Tools are consumables without warranty.

Non-warranty Ordinance:

1. Unauthorized maintenance, misuse, collision, negligence, abuse, infusion, accident, alteration, incorrect use of non-product accessories or tear, alteration of labels, anti-counterfeiting marks;
2. Over the warranty period;
3. Damage caused by force majeure.
4. Performance failure that does not conform to the performance failure list of electric scooter.
5. The performance faults listed in the Performance Fault Table of Electric Scooter are caused by human factors.
6. Damage caused by human factors (including, but not limited to, traces and damage caused by vehicle fluid intake, tyre ligation, impact, normal use of exterior parts, etc.)
7. If this product is used for commercial use, it will not be guaranteed.

Name	Performance failure
Electric scooter	The motor can not work under normal conditions
	Controller malfunction under normal operation
	Battery malfunction under normal operation
	Deformation and fracture of frame under normal condition can not be continued to use.

Performance Fault Table of Electric Scooter

Velocifero



Taizhou Velocifero Co., Ltd./ Mayway Industry Co., Ltd.
Add: Yinjia Road, Lunan street, Luqiao district ,
Taizhou City, Zhejiang, China
Facebook : Velocifero
web : www.velocifero.eu
email : info@velocifero.com.cn
info@mai-way.com



www.velocifero.eu