

Please read the manual before using the product. The manual and carton contain important information, please keep them properly for later references. If failure to following the instruction in the manual, it might be dangerous for your child.

In order to improve the product and quality, we may change the parts of structure, appearance, packing method, assembly method and function of the product without any notice. When there is any difference between the manual and the product, please subject to the actual product. We are sorry for any inconvenience.



Hollicy

The assembly manual of
battery operated car

Model: SX1928

Executive standard :

EN71-1

EN71-2

EN71-3





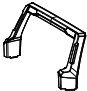
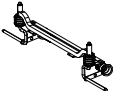

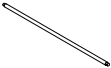




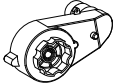

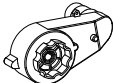



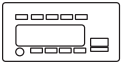

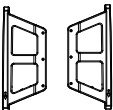
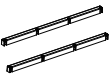
EN62115



WARNING:

Products should be assembled by an adult. Protective equipment should be worn. Not to be used in traffic. Not suitable for children under 3 years. Choking hazard- small parts. In unassembled state, contains potentially hazardous small parts. Please keep out of the reach of small children. Pay attention to the potential hazards of using the toy in areas other than private grounds.

PARTS LIST

PARTS NAME	PICTURE	QTY	PARTS NAME	PICTURE	QTY
Car body		1PC	Seat		1PC
Bumper beam		1PC	Handrail		2PCS
Winds hield		1PC	Front axle		1PC
Steering wheel		1PC	Rear axle		1PC
Front wheel (with small hole)		2PCS	Wheel cover		4PCS
Rear wheel (with big hole)		2PCS	Remote control		1PC
Front motor (with small hole)		2PCS	MP3 player (optional)		1PC
Rear motor (with big hole)		2PCS	MP4 player (optional)		1PC
Charger		1PC	Manual		1PC
MP3 player (optional)		1PC	Hardware package		1PC
Support plate		2PC	Pressing batten		2PC

Disclaimer:

The pictures in this instruction are for assembly reference only. Please refer to the actual product.

WARNING:

This product is not the vehicle for transportation, it should be used under adult guidance. Parents should ensure that children have taken the safety measures before use.

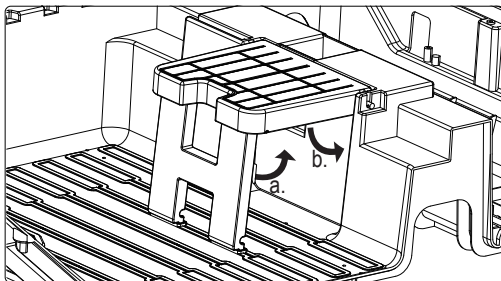
The toy should be used with caution since skill is required to avoid falls or collisions causing injury to the user or third parties.

PRODUCT SPECIFICATIONS

Battery	12V-10AH/12V-14AH
Main material	PP
Suitable age	37-95 Months
Weight limit	60kg
Product size	146X98X76cm
Speed	3-7Km/h
Runtime	1 hour after charging for 8-12 hours, based on ride on conditions
Charger	AC 110-120V or AC 220-240V
Fuse	Auto-reset fuse & Fast-blow fuse 6A (locate under the hood)

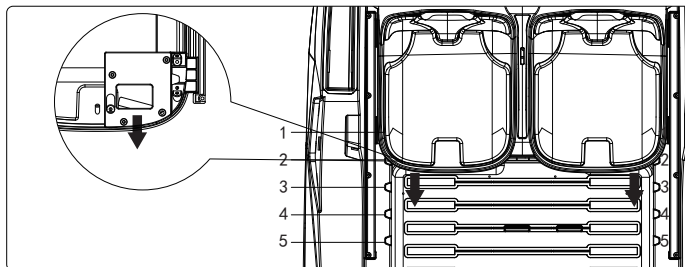
Small folding seat function

Small seat can be folded twice and fix beside the big seat. Unfold the small seat again when needed.



Adjustable seat function

Two adjustable spanners are located under the seat on both sides, hold on them at the same time, two hooks now can be released, move the seat until the right position, then release the spanners, hooks pop up and seat is fixed. The seat has a five position adjustment function.



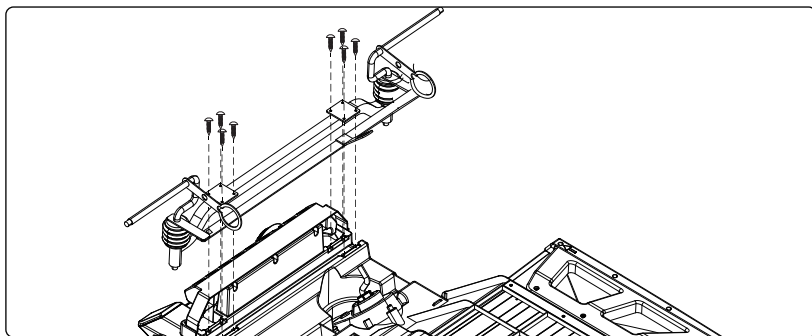
Assembly instruction

- Car assembling should be done by the adults.
- Choking hazard, keep children away while assembling. Children under 36 months are prohibited to use.
- Please count all the parts carefully before assembling and dispose the plastic bag properly.

1. Steel parts assembly

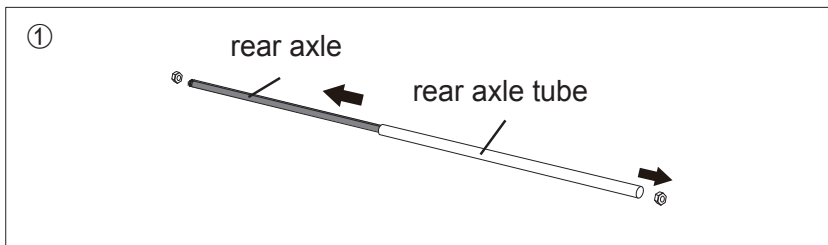
a. Front axle assembly

Turn over the car body, align the front wheel steel parts with the car body, fix them with 4*16 self-tapping screws.

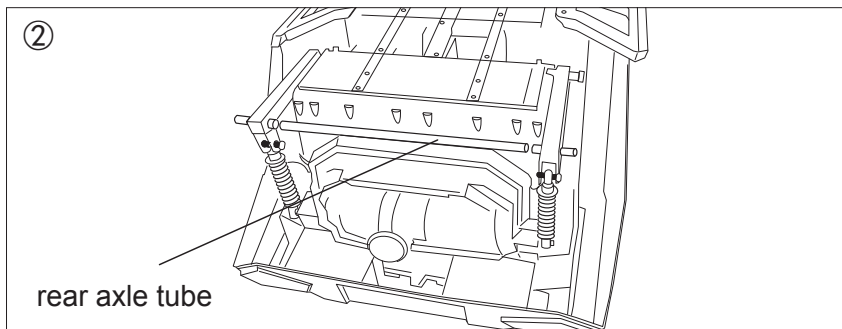


B. Rear axle assembly

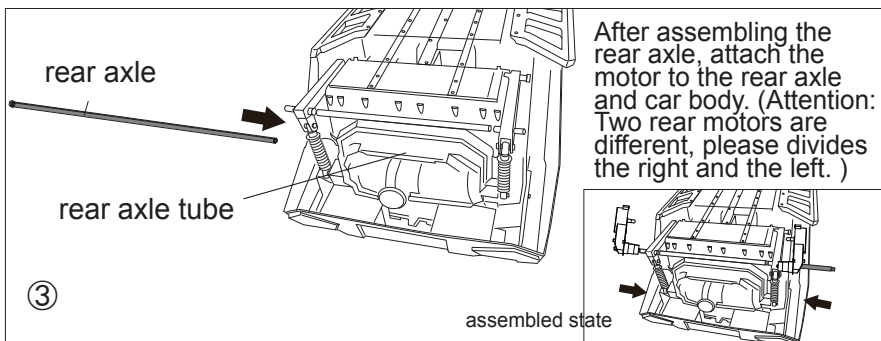
1. Loose the nuts at each end of the axle, pull out the rear axle from rear axle tube.



2. Put the rear axle tube on the right position as shown in picture.



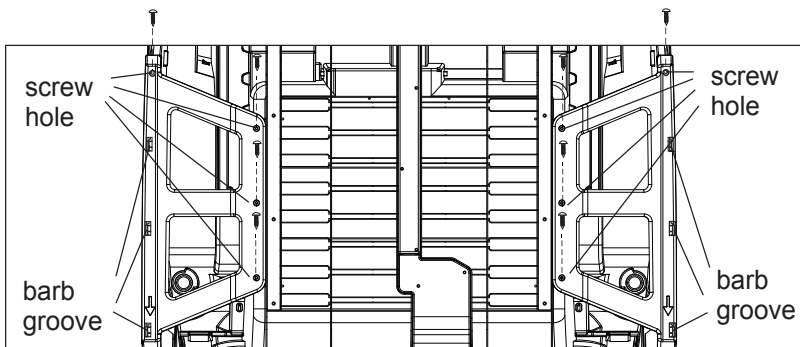
3. Aim the hole on steel part and rear axle tube, insert rear axle to the steel part and tube, now the rear axle has been assembled. (The tube should be in the middle of two steel axle parts.)



2. Left and right support assembly

1) Align the support to the car body, connect the screw holes and fix barb with barb groove.

2) Use 4*12 truss head screws to fix them.

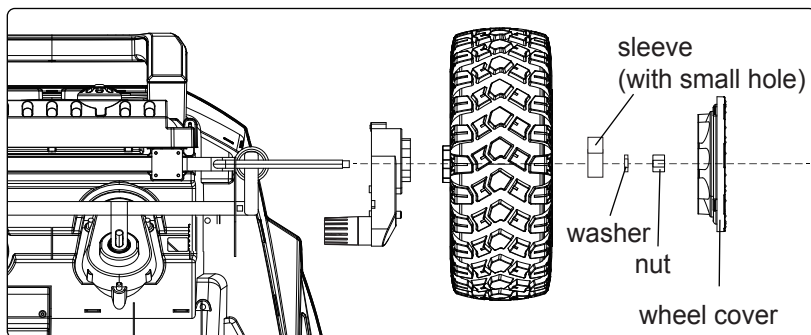


3. Wheels assembly

Front wheels assembly

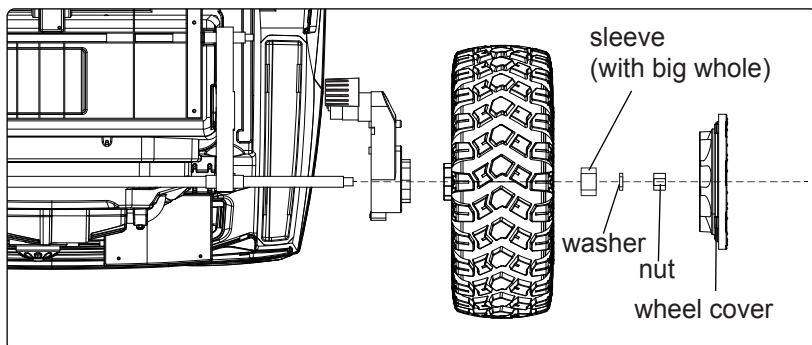
Align the front motor with front axle, insert the head of motor into the hole, assembly the sleeve (with small hole), washer, nut and wheel cover in proper order.

(Attention: Front wheels are different with rear wheels. For the motor, left and right, front and rear are all different, please divide as we marked.)



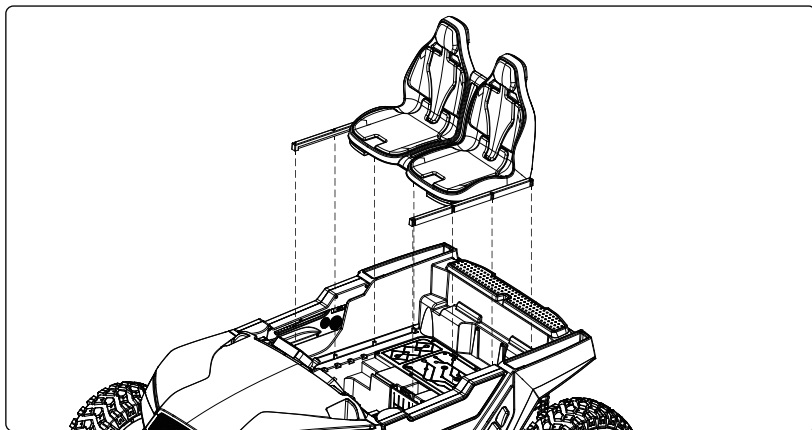
Rear wheels assembly

- a. First, check whether the rear axle is in the middle of the car, make sure the axle length that extend out on both sides are same.
- b. Align the rear motor with rear axle, put the head of motor into the hole, assembly the sleeve (with big hole), washer, nut and wheel cover in proper order.
- C. Turn over the car body, make sure that the assembled wheel is contacted with the ground, then assemble the other wheel.(If the other wheel can't assemble well, please pull out the rear axle until it can't move, try to assemble again.)



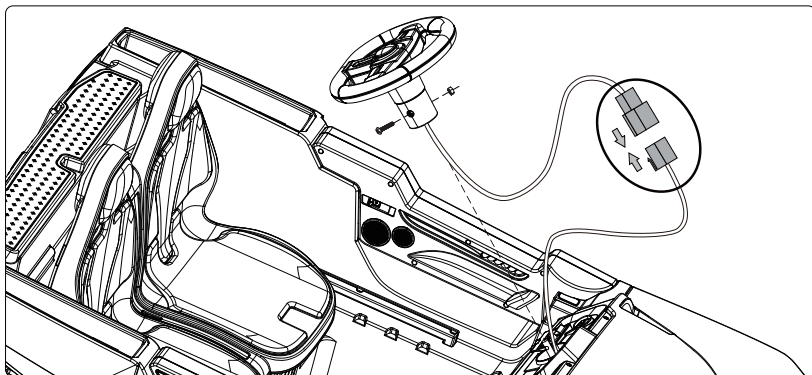
4. Seat assembly

Align two plastic pressing battens on both sides of the seat with corresponding openings on the car body, fit them with screws (4x12)



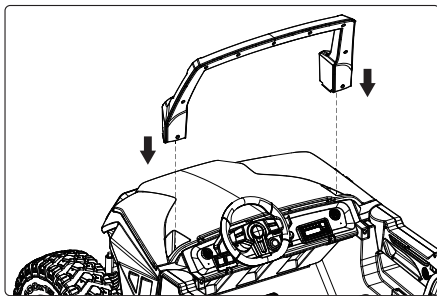
5. Steering wheel assembly

Connect steering wheel wire to the wires coming out of the steering column and match connectors. Align the steering wheel with steering axle, match the holes on steering wheel and steering axle, fix them with a screw and a nut.



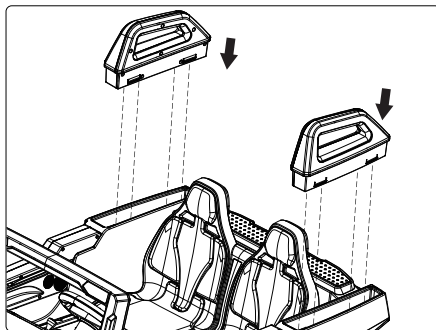
6. Windshield holder assembly

Insert the windshield holder to the corresponding openings on the car body.



7. Handrail assembly

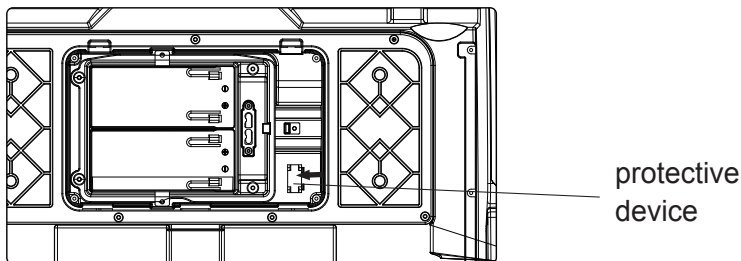
Insert the left and right handrails to the corresponding openings on the car body.



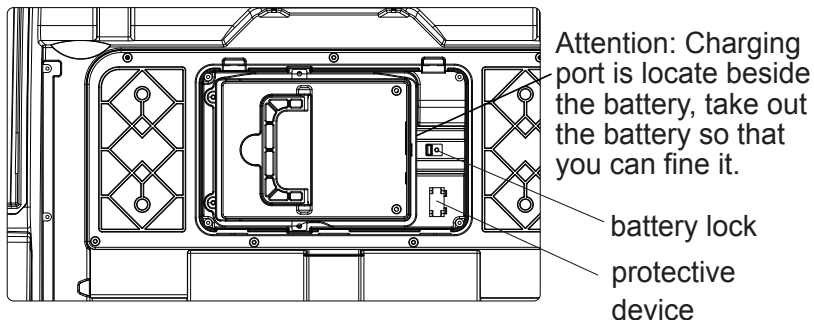
8. Battery connection

Battery is located under the seat, loose the screws on the battery cover, remove the battery cover from one side, insert the protective device to the red plug which is fix on the car body. Now battery has been connected.

A. Non-removable battery connection



B. Removable battery connection (optional)



FUSE

This car has the auto-reset fuse, if the car stops suddenly during driving, it is mainly caused by instantaneous current exceeds ,which makes the fuse to trip. Then just stop operating for about 8 seconds, and this fuse can be reset. In order to avoid the fuse tripping and cutting off power supply, please pay attention to the following matters.

This product can't be overloaded, the maximum load is 60kgs.

Don't drag anything behind products.

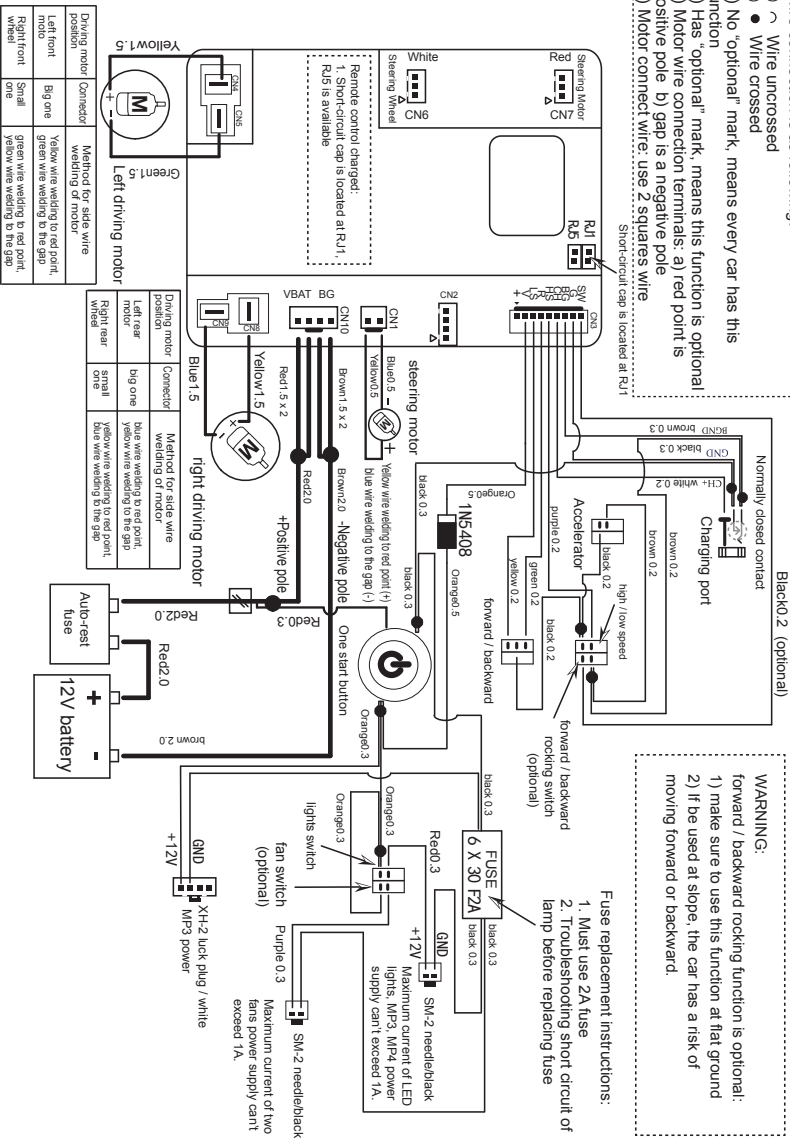
Don't let the water or other liquid into the batteries and other electrical components.

Do not change the circuit system and the structure of the product.

CIRCUIT DIAGRAM

Wire connection is as following:

- 1) ~ Wire uncrossed
- 2) ● Wire crossed
- 3) No "optional" mark, means every car has this function
- 4) Has "optional" mark, means this function is optional
- 5) Motor wire connection terminals: a) red point is positive pole b) gap is a negative pole
- 6) Motor connect wire: use 2 squares wire



WARNING:

forward / backward rocking function is optional:

- 1) make sure to use this function at flat ground
- 2) If he used at slope, the car has a risk of moving forward or backward.

Fuse replacement instructions:

1. Must use 2A fuse
2. Troubleshooting short circuit of lamp before replacing fuse

SECURITY WARNING

- 1.The installation and charging of vehicle should be under adult supervision at all times.
- 2.This product is limited to the children from 37 to 95 months, 60 kg weight limit, please do not overload.
- 3.This product is ideal for driving on a hard flat surface.
- 4.It is strictly prohibited in the streets or the road, pot holes, and slopes.
- 5.Avoid driving in the sand or grass or uneven ground.
- 6.Children should be given full instructions on operation of the car. Improper operation can cause damage or accidents.
- 7.While children are driving, it is parents' duty to supervise at all time to avoid accidents.
- 8.Avoid driving in rains or flooded pathways. By doing so it can damage the motor, circuit and other electrical equipments.
- 9.Battery charger should be regularly inspected by parents to insure that the wires, plugs, crusts and other components are not damaged. Please stop using if any damage is found, until it is completely restored.
- 10.In order to ensure product life and safety, avoid damage to the charger, battery or electric circuit, the car must use the default configuration of a dedicated charger and power supply.
- 11.Rechargeable batteries should be removed from the toy before charging.
- 12.When no use of product, please cut off the product power, and keep all the switch to "stop" or "off" position.
- 13.The charger provided is not a toy. It is to be kept away from children.
- 14.Strictly prohibit using the non-manufacturer provided parts.
- 15.This product is made of PP material mainly, and the safe using time is two years.

USAGE DIRECTION

1. Before using it, make sure that all the following works are done.
 - Step described in accordance with the instructions to the installation of the car, the battery plug-in has been connected, the power supply has been switched on.
 - Make sure that all the positions which need the screws are fixed tightly.
 - Parents or guardian should ensure that children have taken the safety measures before using.To reduce the risk during using, pay attention the followings:
When driving the car ,child should sit on the car seat.
Adult or parents should take more care and guidance when child driving and can't leave away.

Pay attention to the driving environment and driving on the hard flat surface, not the unsafe environment.

For example:

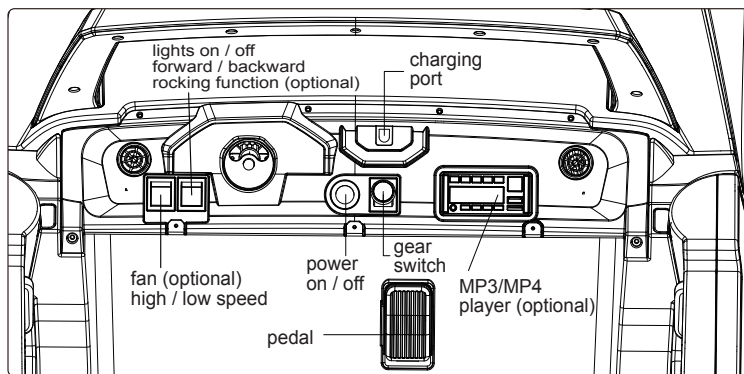
- a. The trenches, the riverside, slope or uneven ground;
- b. Road or other places for driving and walking;
- c. The obstruction which is easily hitting and causing injury;
- d. Other unsafe zones.

To avoid accident, please use only in daytime or bright place, avoid using under low visibility.

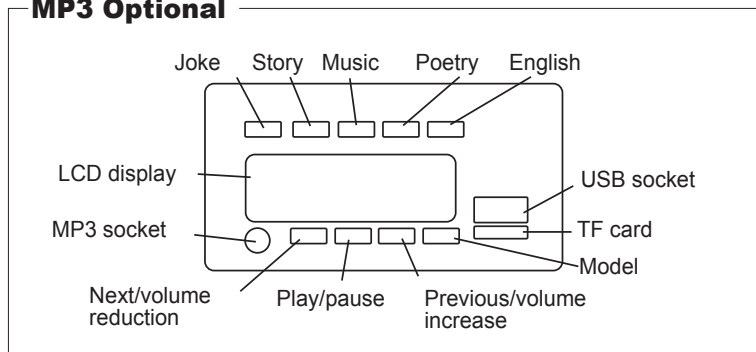
WARNING:

When changing the gears, the accelerator should be released and the car has completely come to a stop. Prohibit to change the gear while the car is still moving, because that can damage the wire and other transmission parts.

2. Operating(function reference diagram)



MP3 Optional



MP3 Optional

MP3/ Mode/ Electric capacity display

Bluetooth name

Bluetooth mode

TF card mark

U dish mark

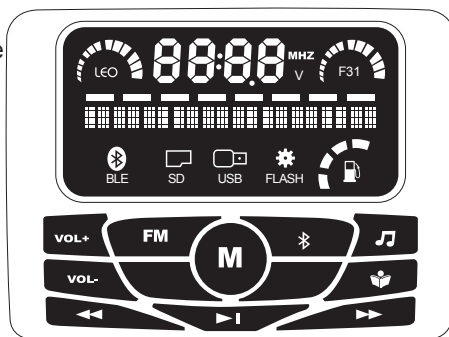
Flash mode

Volume +

Volume -

Mode switch

Previous



MP3 balance waveform

Battery capacity

Bluetooth

Music

Story

Next

↑ microphone slot ↑ Play/ Pause ↑ U dish ↑ TF card

MP4 Optional

Touch function area

U dish/TF card identification symbols

Battery capacity

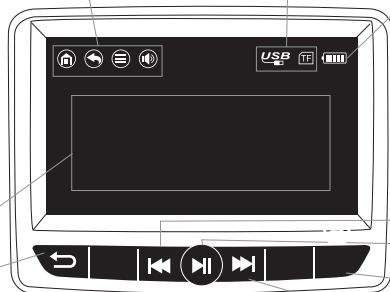
File on demand shortcut key

Music/ story/ children's song
Poetry/ cartoon / photo

File shortcut key

Back

↑ microphone slot



File management
(File selection in U dish or TF card)
Language selection
(Simplified Chinese, Traditional Chinese, English, French, Farsi, Korean)

Previous

OK/ Pause

Return to the home page

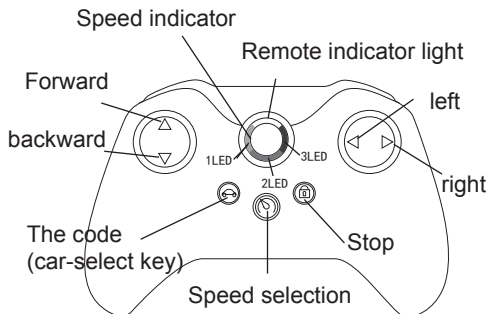
Next

↑ MP4 screen on/off

↑ U dish (default first)

↑ TF card

Remote control instruction



1. Before first using, please code first, steps are as following:

(1) Press and hold car select button, until remote indicator light starts to flash.

(2) Turn on the power, remote indicator light will be off, indicating the successful connection with the car. Release the button, now the remote control can be used.

(3) If remote indicator light is still flashing and turned on, try again and repeat step 1-2.

2. Please select the proper speed during driving. Manual mode or remote mode both can be selected.

(1) Remote mode: press and hold the speed select button to chose the proper speed. (1 LED: slow speed; 2 LED: middle speed; 3 LED: fast speed.)

(2) Manual mode: use gear to select high or low speed.

3. The remote control uses slow start technology, it can reduce impact force of the traditional controller and protect baby's spine.

4. The "stop" button on remote control can be used in any situation (after connecting successfully), press and hold "stop" button, the car will stop immediately and can't be operated whether in manual mode or remote mode. Parents have full control of the remote, so as to improve the security.

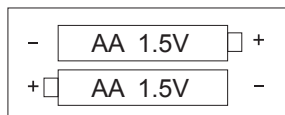
5. Push the joystick front, the car will go forward. Push the joystick back, the car will go backward. No operation, the car will not move.

6. Push the joystick left, the car will go left. Push the joystick right, the car will go right.

WARNING:

- 1 . When operating the car, the distance between the car which kid sit in and the remote control which operated by adults should not be more than 10 meters.
- 2 .The remote is only for adults to use, keep far away from child.
- 3 .Before using the remote, you must read the instruction manual carefully, and operate the empty car first , only when knowing the way of operation, you can use the remote with kid in the car.
- 4.Please switch to the "P"of the gear before you get on the car.
- 5.This product should not be used on traffic road and the place with water and obstacles.
- 6 . To Avoid damaging the circuit, please keep the remote control from wet and in rains.
- 7 .Don't mix old and new batteries and different brands of dry batteries.
- 8 . In order to avoid damaging the remote control, please take out the batteries if not use the remote control for a long time to avoid battery leakage and circuit corrosion.
- 9.Avoid dropping the remote control during using.
- 10.Install batteries with right polarity to avoid battery short circuit.
- 11.Charging must be done by adults. Non rechargeable batteries can't be charged.
- 12.Exhausted battery should be removed from the toy properly and prevent children from playing.
- 13.Take out the battery if no use for long time, properly handle the battery, and prevent children from playing.
- 14.If the remote distance is less than 3 meters, it means the battery is down in the remote control, it is time to change the 2 pieces of AA alkaline batteries.

How to insert batteries: Use screwdriver to loosen the screw on the back of the remote control, open the battery cover, and install two AA 1.5V alkaline type batteries according to the diagram (Batteries are self-provided), then close the battery cover,and fix with screw.



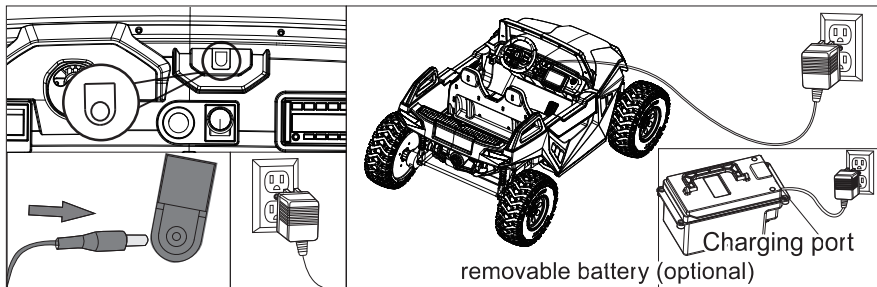
How to remove batteries: Use screwdriver to loosen the screw on the back of the remote control, open the battery cover and remove batteries, then close the battery cover, and fix with screw.

WARNING:

- Non-rechargeable batteries are not to be recharged;
- Batteries are to be inserted with the correct polarity;
- Exhausted batteries are to be removed from the toy;
- Rechargeable batteries are only to be charged under adult supervision;
- Rechargeable batteries are to be removed from the toy before being charged.

CHARGING WAY

- For Safety purpose ,the charging must be done by adults.
- When it is the first time use it, you should open the battery cover and insert the protective device to the red plug which is fix on the car body, use it only after charging 8-12 hours.
- Charging socket located inside the dashboard, follow the instructions to charge the battery.
- If the car has slowed done, it needs to be charged by 8-12 hours, maximum 20 hours.



- 1.First insert the plug of the charger into the charging port.
- 2.Then insert the charger to the power socket. (The car cannot be started during charging)



WARNING:

- 1 The toy is to be assembled by an adult. In unassembled state, it contains potentially hazardous sharp points & small parts, so please keep out of baby's reach.
- 2 CHOCING HAZARD – Small parts.
- 3 Not for children under 3 yrs.
- 4 Always wear shoes.
- 5 RISK OF FIRE. Do not bypass. Replace only with circuit protection device.
- 6 Protective equipment should be worn. Not to be used in traffic.

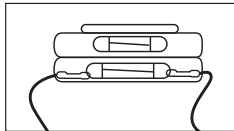
Attention:

- Can only use the charger and battery according to manufacturers regulations.
- Do not mix old and new or different types of batteries.
- The battery terminal should not be short circuit.
- Do not open the battery or charger.
- Do not reverse the battery.
- Before charging, please check whether the charger, battery and plug are ok, if you find any broken parts, you must stop using it immediately. And do not use it until it is fully repaired.
- The battery will be little warm when being charged, it is normal. If not, it may be caused from the short circuit of charger or circuit board.
- Must use the pressing plate to fix the battery.
- Run out of battery must be handled by adults, remove the battery which has run out from toys to recycle properly and shall not be arbitrarily discard.
- If the product is going to be stored unused long time , it must be fully charged, and charge it every 3 months ,so as to make sure the battery life.
- Charger and Battery are not toys. Keep them away from children.

The method of replacing a fuse

When all the lights are turned off during using, it is necessary to check whether the fuse in the fuse clip are burn out, please follow the steps below to troubleshoot possible problems.

- 1.Please remove all the XH-2A plugs on transfer board;
- 2.Replace the new fuse in the fuse clip. (Replacement specification: 6A fuse, size 6x30.)
- 3.Insert XH-2A plugs to the transfer board one by one, when insert one please check whether the fuse is burn out;
- 4.After the third step, you can find out which line has short circuit problem, replace the led lights beads or lights belt on this line, then replace the new fuse in the fuse clip. (Replacement specification: 6A fuse, size 6x30.)



MAINTENANCE AND SERVICE

- 1, Before use, parents should check whether all parts like batteries, charger, wires, plug, outer body and other parts are in good condition, check whether the screws are loose and whether there are potential safety hazards. Any damaged parts founded should be repaired before using.
- 2, After using the product for a period of time, use a small amount of lubricating oil to the moving parts to prevent wear and tear of rust.
- 3, Keep the car away from fire and direct sunlight. Place it stably, not upside down. The car shall be stored indoors or outdoors under cover.
- 4, The car should be kept away from hot items, such as stoves or heat-ers, or the plastic parts will melt. When charging, the car should be kept away from inflammable materials to prevent it from catching fire.
- 5, Charge in time after use. Charging should be done by adults. If the product is going to be unused for a long time, it must be fully charged. Charge it every month so as to extend the battery lifespan.
- 6, A soft cloth must be used to clean the car. Do not use chemical solvents to clean the plastic parts. Do not use soap or water to clean the car. Driving in rainy or snowy weather, water can damage the motor, battery and circuit system.
- 7, When stopping or storing the car, please cut off the power and make sure all switches are in the 'STOP' or 'OFF' position.
- 8, Do not use fuses different from the specifications of this product.
- 9, Do not change the product structure and circuit system. Maintenance and repair work must be done under the guidance of the professional or technical personnel in place.
- 10, Do not use the product for other purposes. Put the battery in the right polarity.
- 11, Battery negative short circuit is prohibited. Non-rechargeable cannot be charged.
- 12, Rechargeable batteries can only be charged under the supervision of the adult.
- 13, Do not mix old and new batteries or different types of batteries.
- 14, The battery running out of power should be removed from the car properly and not allowed to be played by children.
- 15, Pull out the potective device when not in use and do not allow children to play with them

TROUBLESHOOTING

Car does not move or power on	If “power” switch is in OFF position
	If the fuse is not functioning properly
	If the battery is not connected, check the red and black wires.
	If the charger is plugged in, car will not power on. Unplug charger.
	If the pedal switch is not functioning properly
	If the wheels stuck and cannot move
Car moves slowly	If the battery is not fully charged. Need to be charged in time
	If there is an issue with the wheels
	If rider weight exceeds specifications
Battery does not charge	If the charger is malfunctioning
	If the battery lost its capacity
	If the charger and battery connection are charged

PINGHU SHUANGXI BABY CARRIER MANUFACTURE CO.,LTD.
PINGHU BABY CARRIER INDUSTRY CITY, ZHEJIANG, CHINA
